

# T O O L

"HOW TO DO IT," GOOD

INTERNATIONAL ZINE  
FOR THE PSYKHO-PRAC-  
TICAL DEVELOPMENT O-  
F THE HUMAN RAGE.

↔ AN ↔

AUTOPUBLICATION  
PUBLICATION

all rights reserved

God

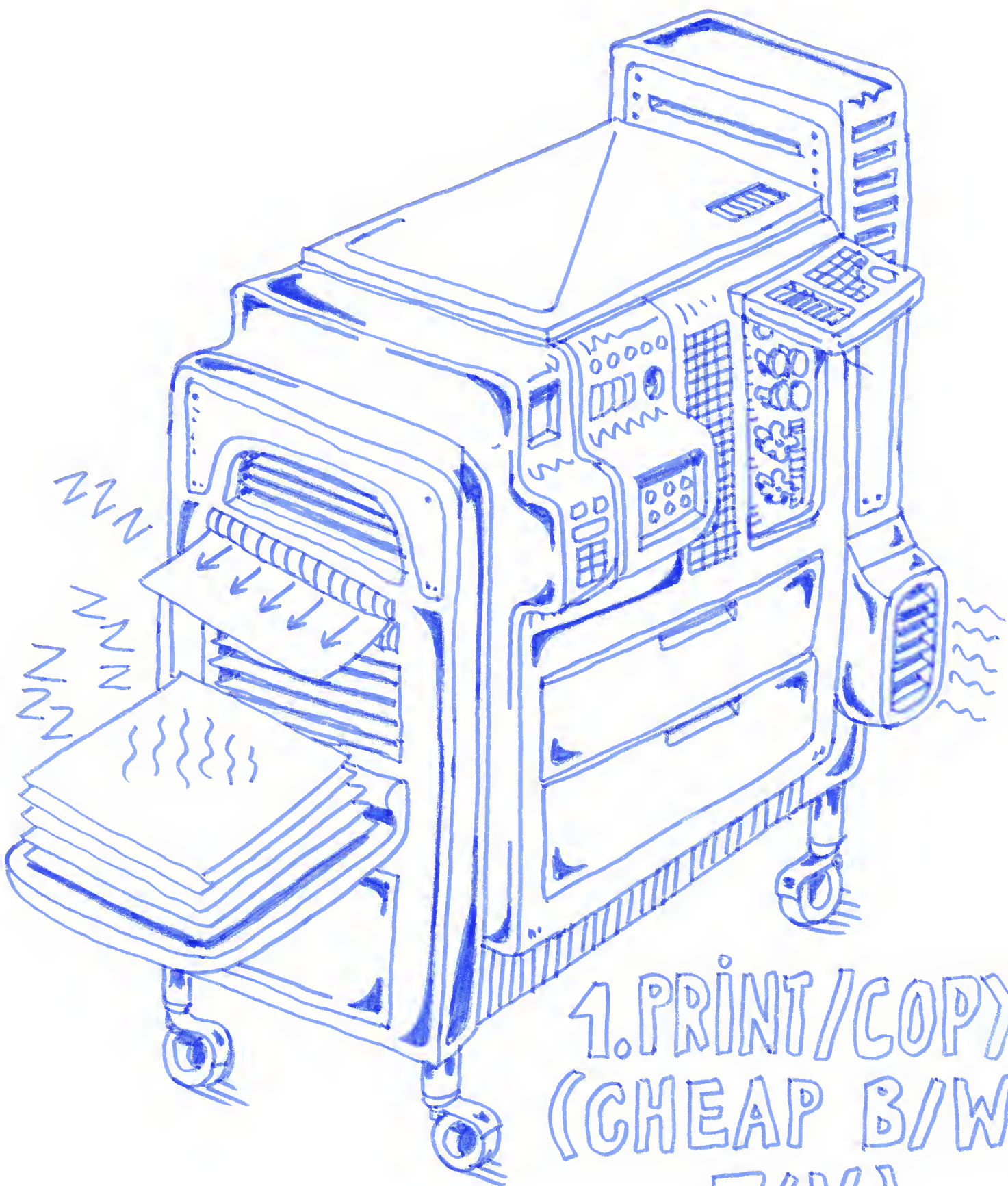
BOOK COCK & PUBLISHERS



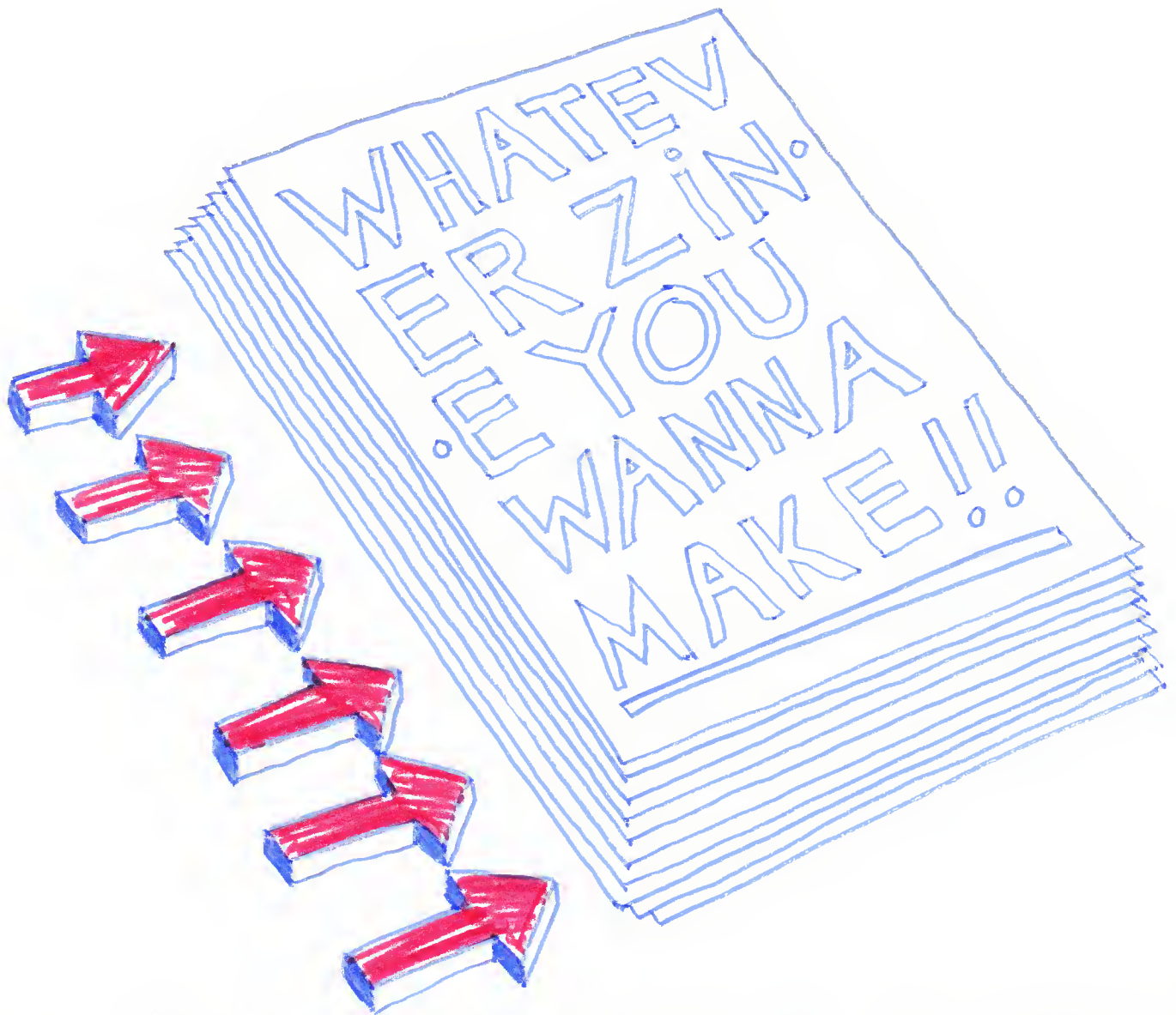
○★STEEL:CO~BOMFAIÄR★○

- THIS ZINE'S ABOUT MAKING ZINES IN A STEADY FASHION.
- VERY INDEPENDENT UNDERGROUND DIY ZINES OF REAL PLUS VALUE!
- TAKE NOTICE - YOU MUST BE COMPLETELY SOBER TO FOLLOW THE INSTRUCTIONS OF THIS GAY MANUAL.



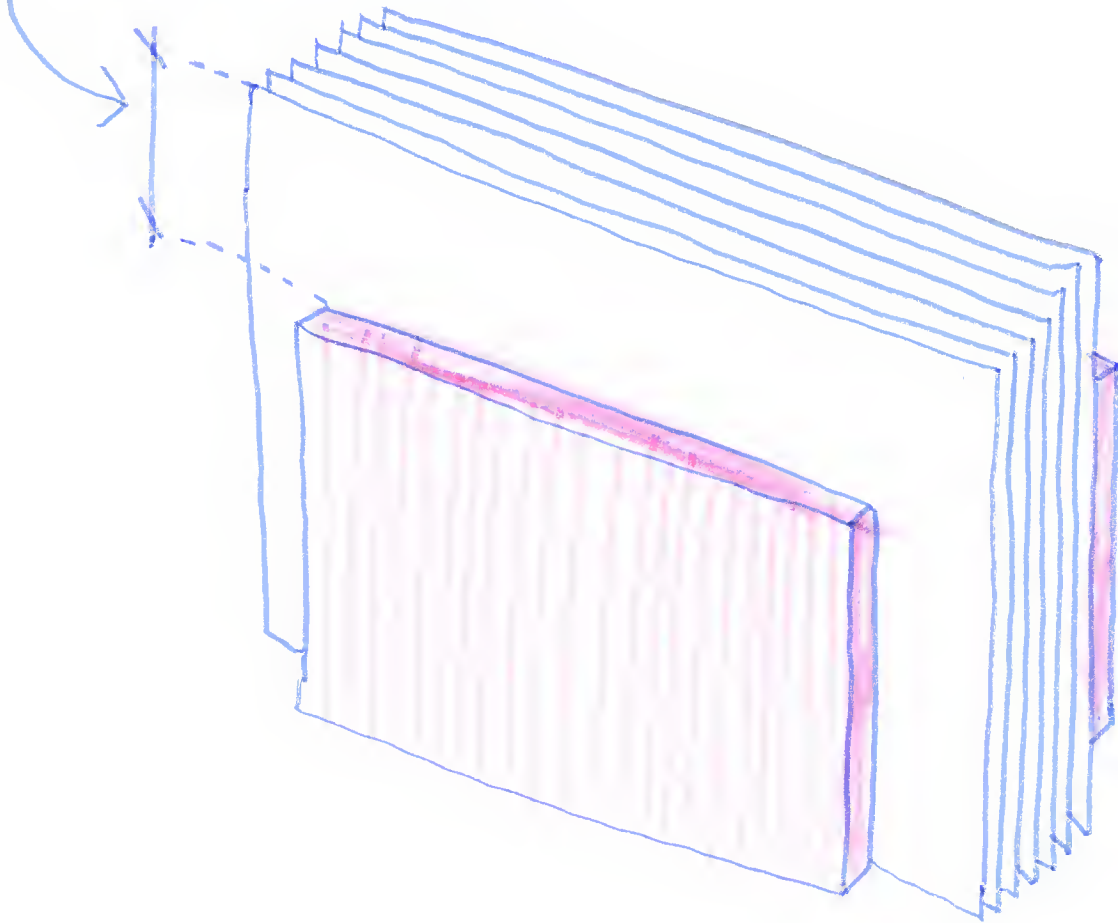


1. PRINT/COPY  
(CHEAP B/W  
F/V)

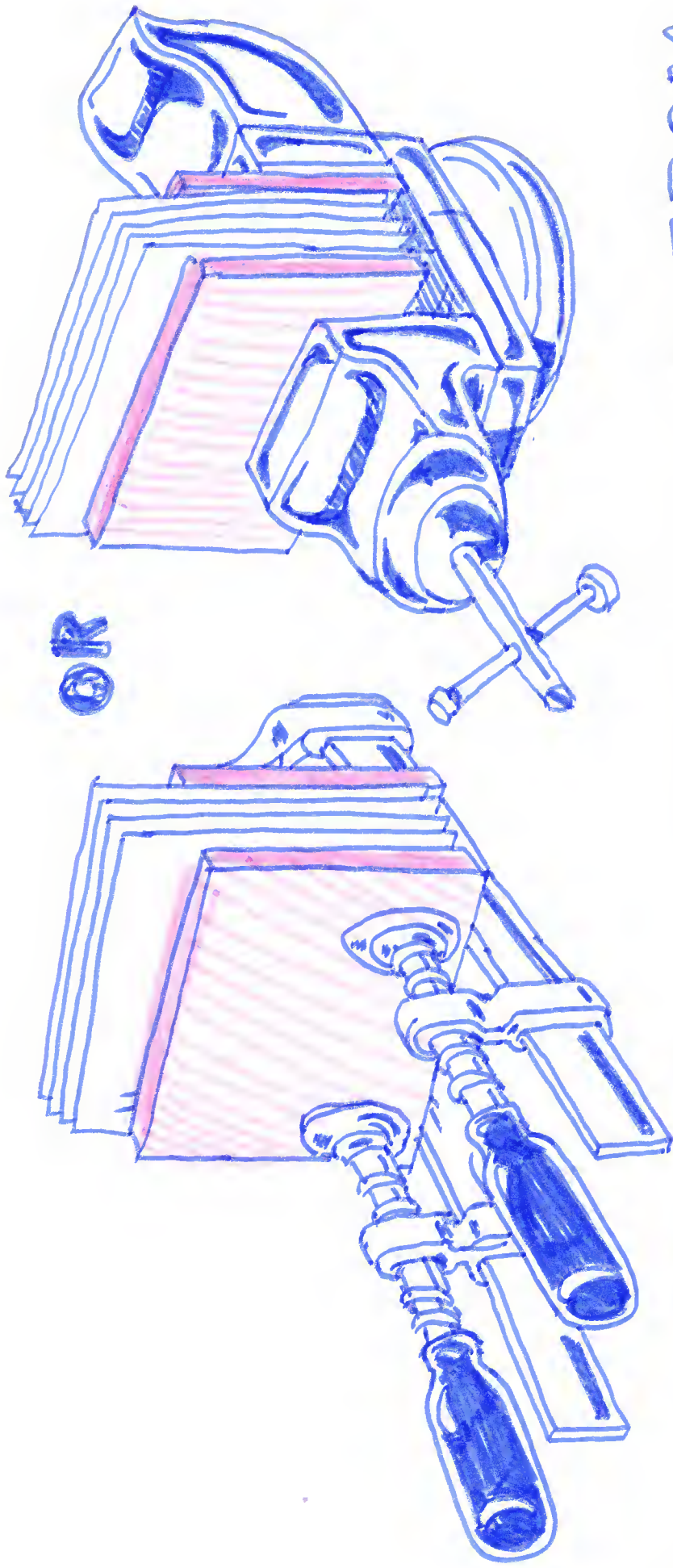


2. IDENTIFY THE LEFT SI-  
-DE OF YOUR BUNCH OF  
PAPERS THAT'S SET TO BE-  
-COME A ZINE.

≈ 5cm

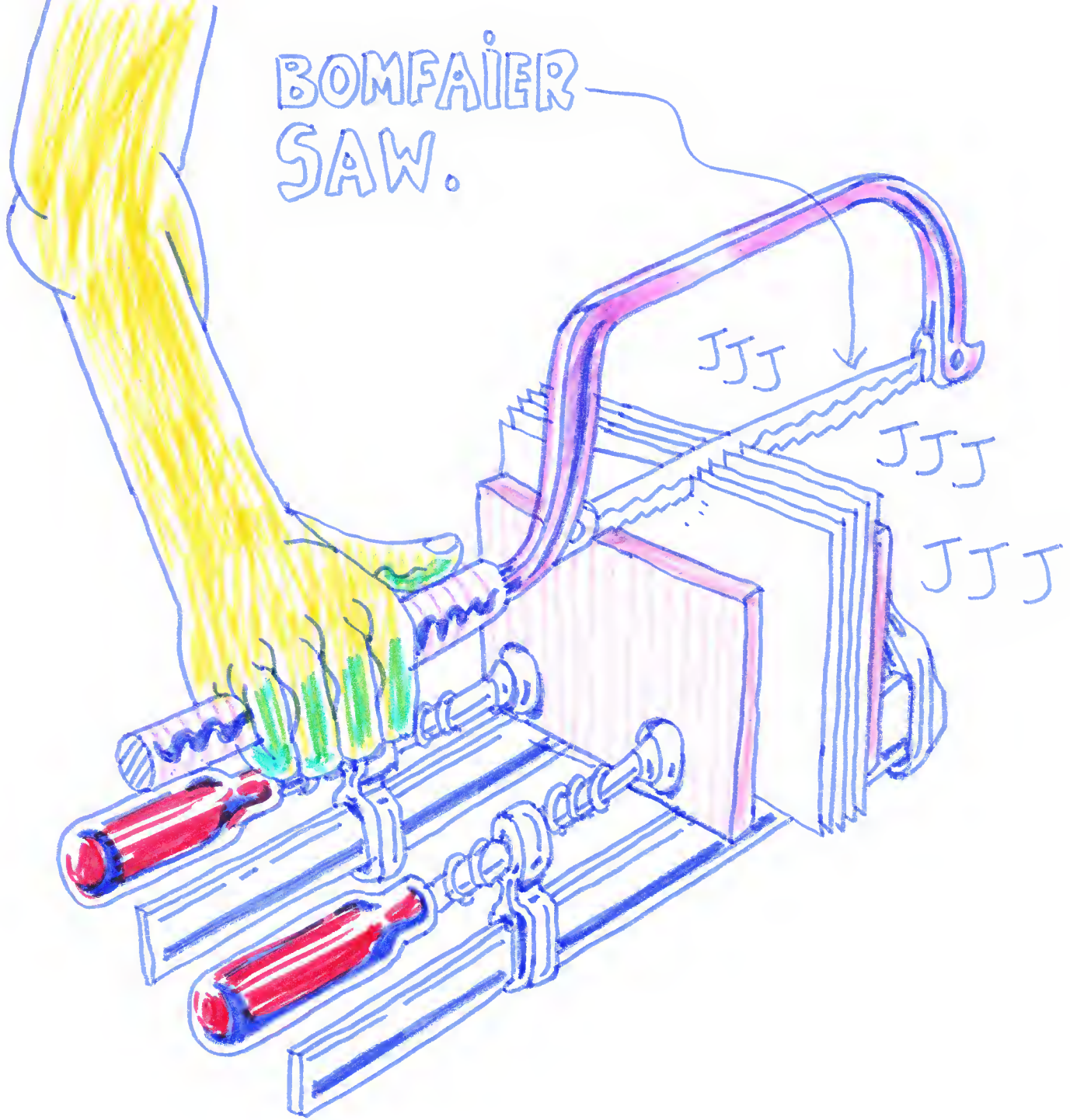


3. PLACE THE BUNCH  
OF PAPERS BETWEEN 2  
WOOD PLANKS OR 2 S-  
HEETS OF CARDBOARD.  
LEFT SIDE UP, BITCH!

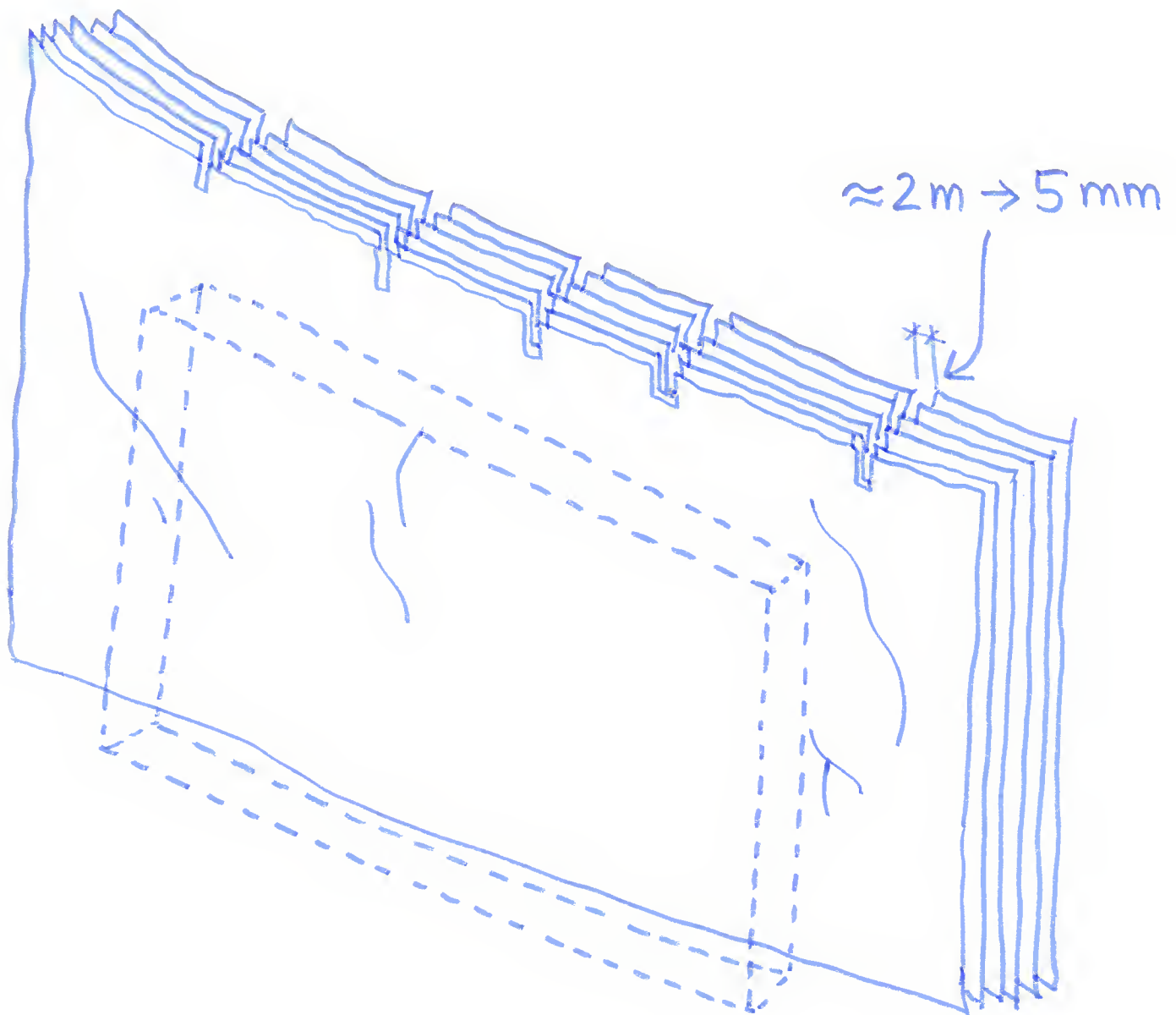


4. POSITION THE ASSEMBLAGE FROM  
STEP #3 IN A FIRM STRANGLEH-  
-OLD.

BOMFAIER  
SAW.

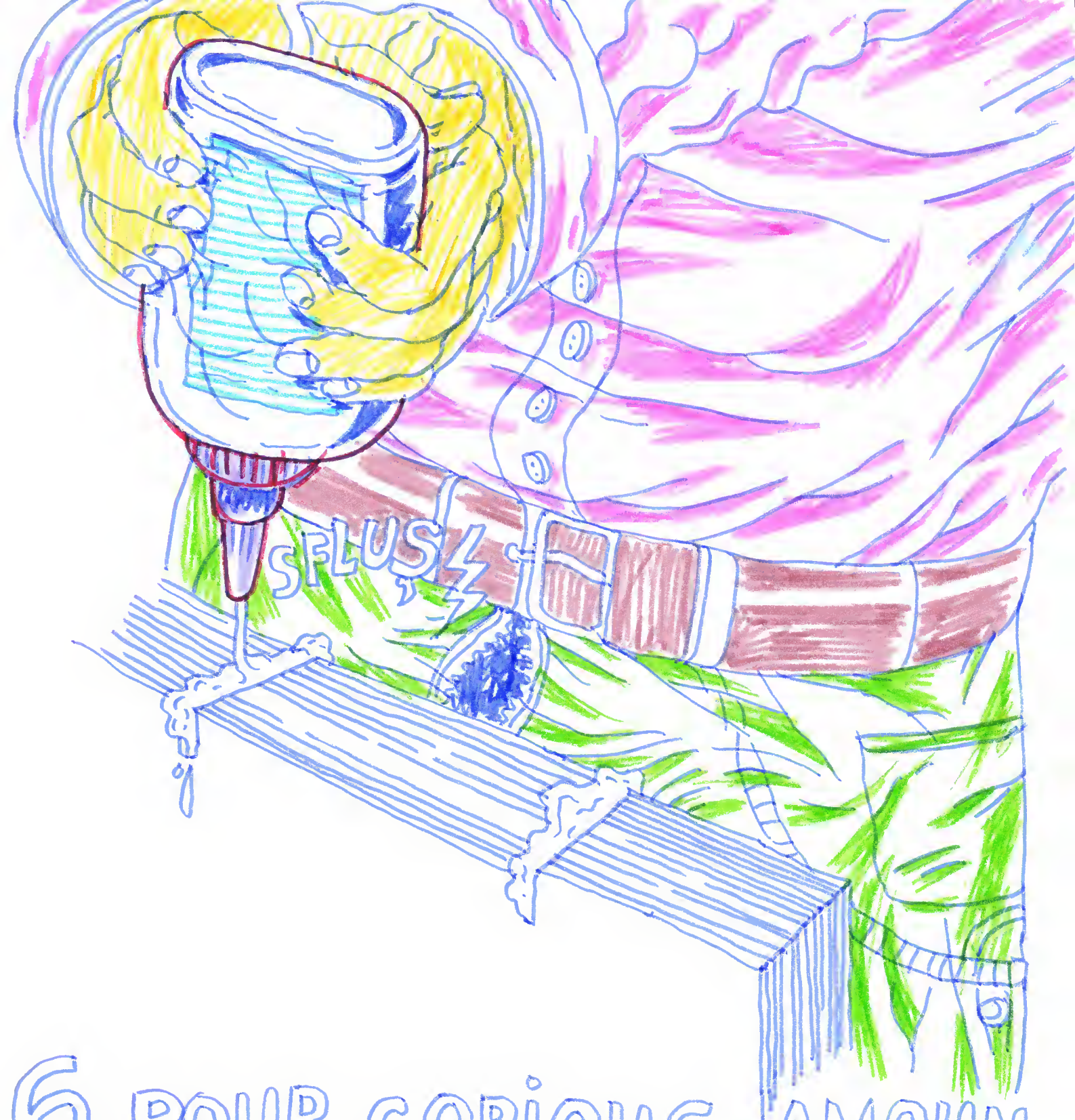


5. CUT THE FUTURE LEFT  
SIDE OF THE ZINE IN MULTI-  
-PLE UNIFORMLY-DISTRIBU-  
-TED SPOTS (MIN. OF 5 RE-  
-COMENDED)



5.1. MAKE SURE THE DEPTH OF THE CUT IS AT LEAST 2 mm (for 40-60 sheets of paper) FOR THICKER ZINES, GO DEEPER (50 mm or more for 200-300 sheets of paper)

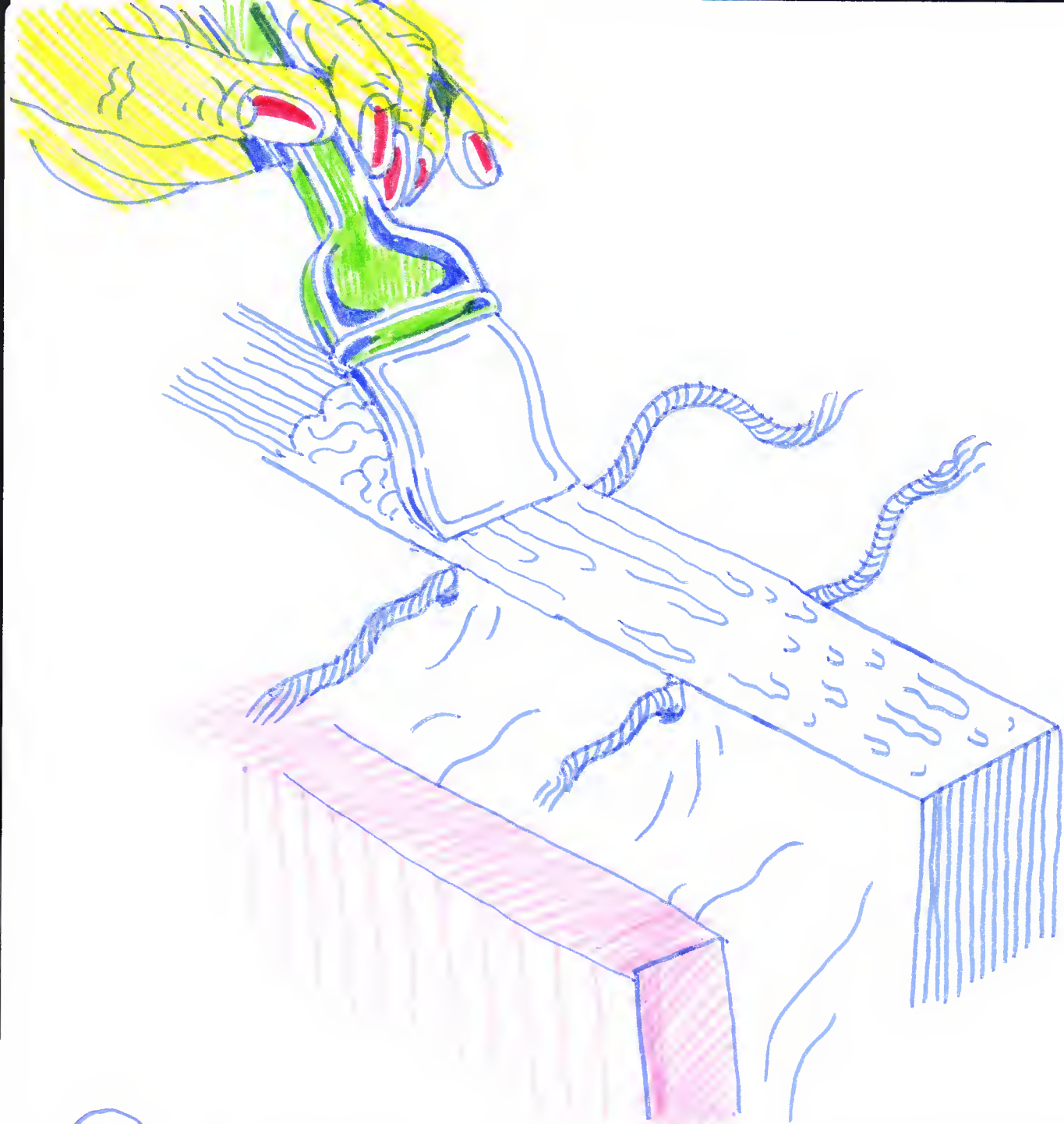




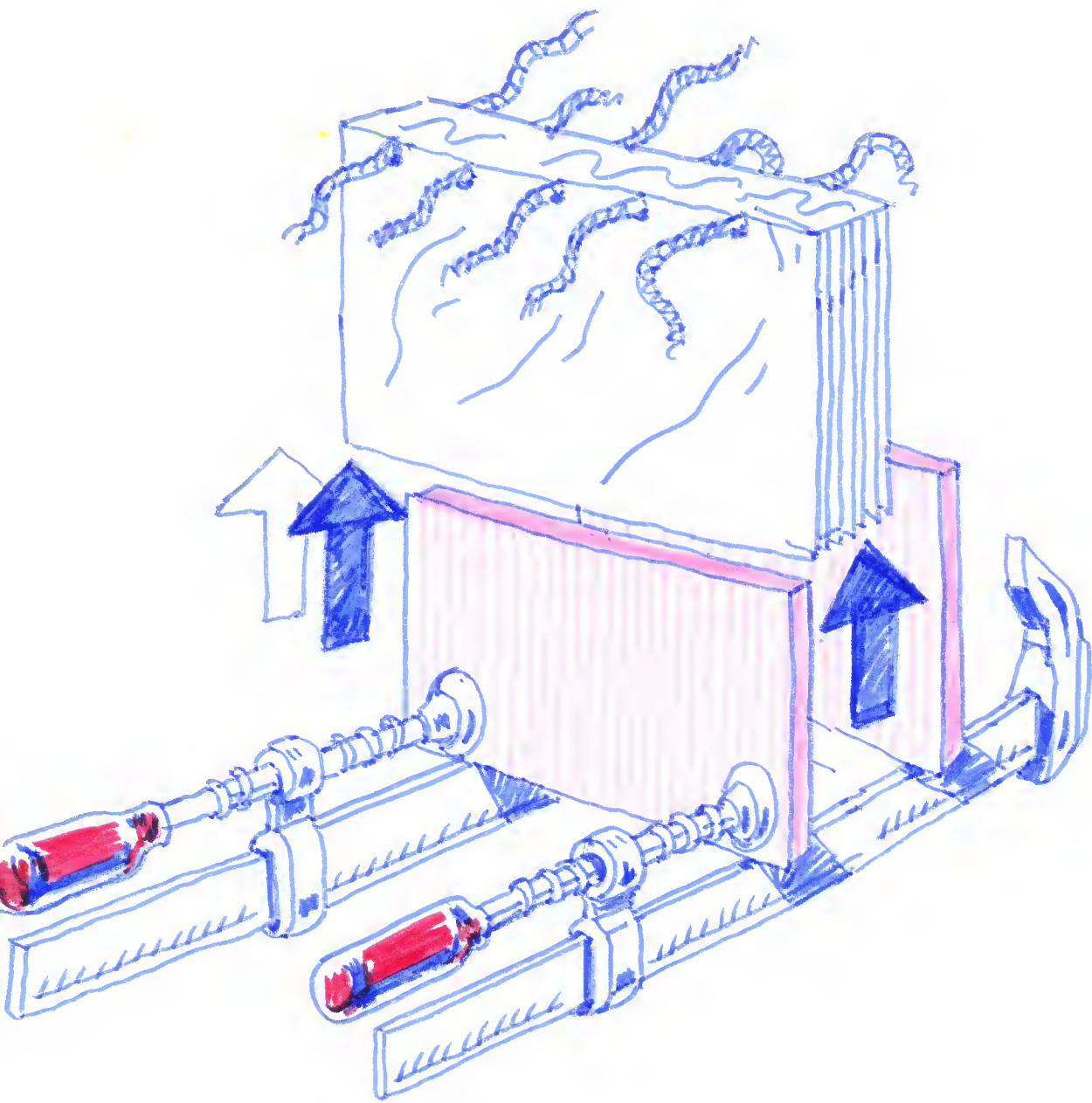
6. POUR COPIOUS AMOUNTS OF WHITE GLUE TO PROPERLY SATURATE THE CUTS.



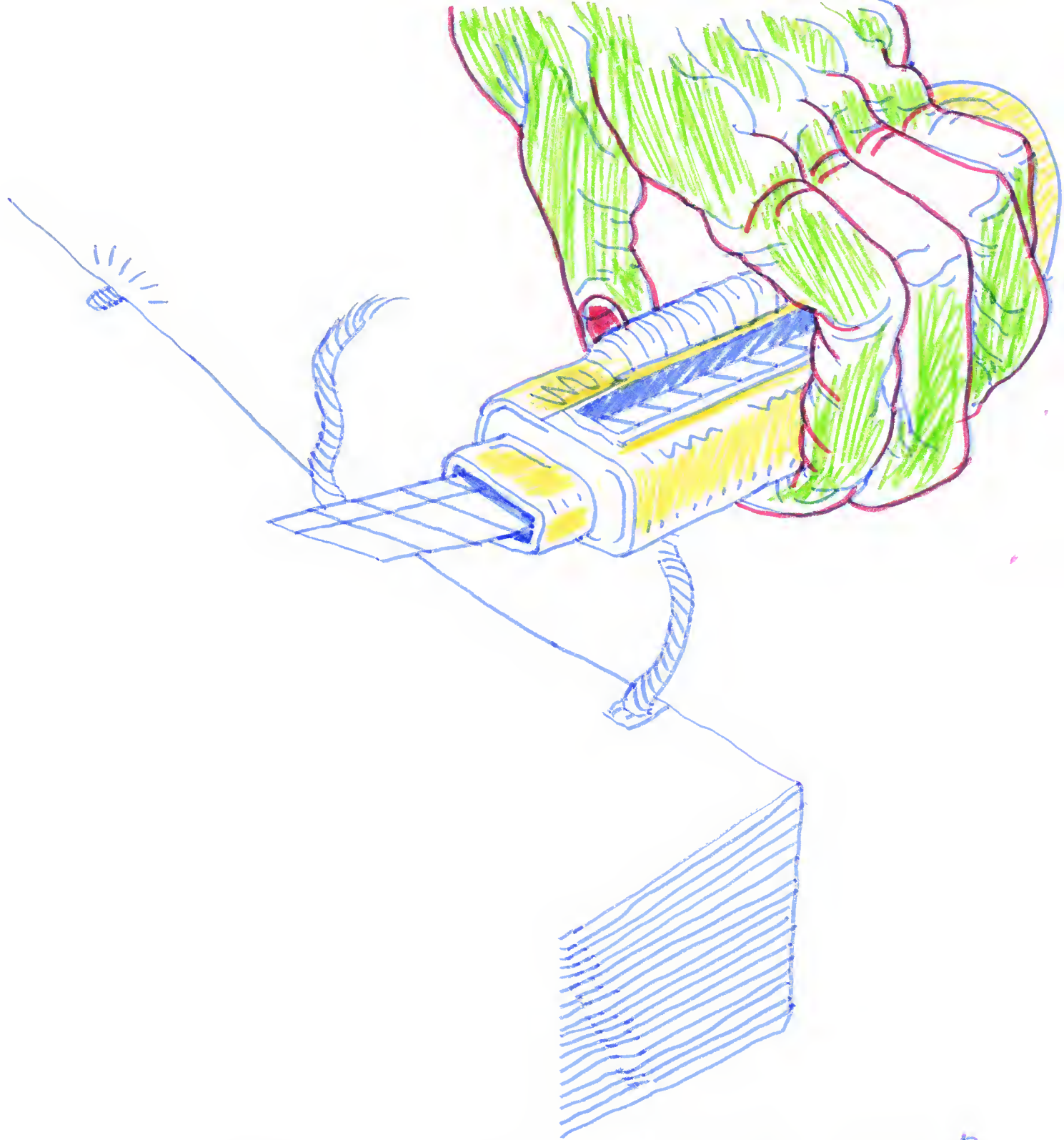
7. PLACE INTO THE GLUE-SOAKED GUTS, STRONG THIN DOUBLE-THREAD ROPE, PUSHING IT IN WHILE ROTATING AS SHOWN.



8. USE A FLAT SURFA-  
-GE / USTENSIL, TO SPRE-  
-AD A<sup>N</sup> UNIFORM LAYER OF  
WITE GLUE ON TOP OF  
ALL THE SHIT.

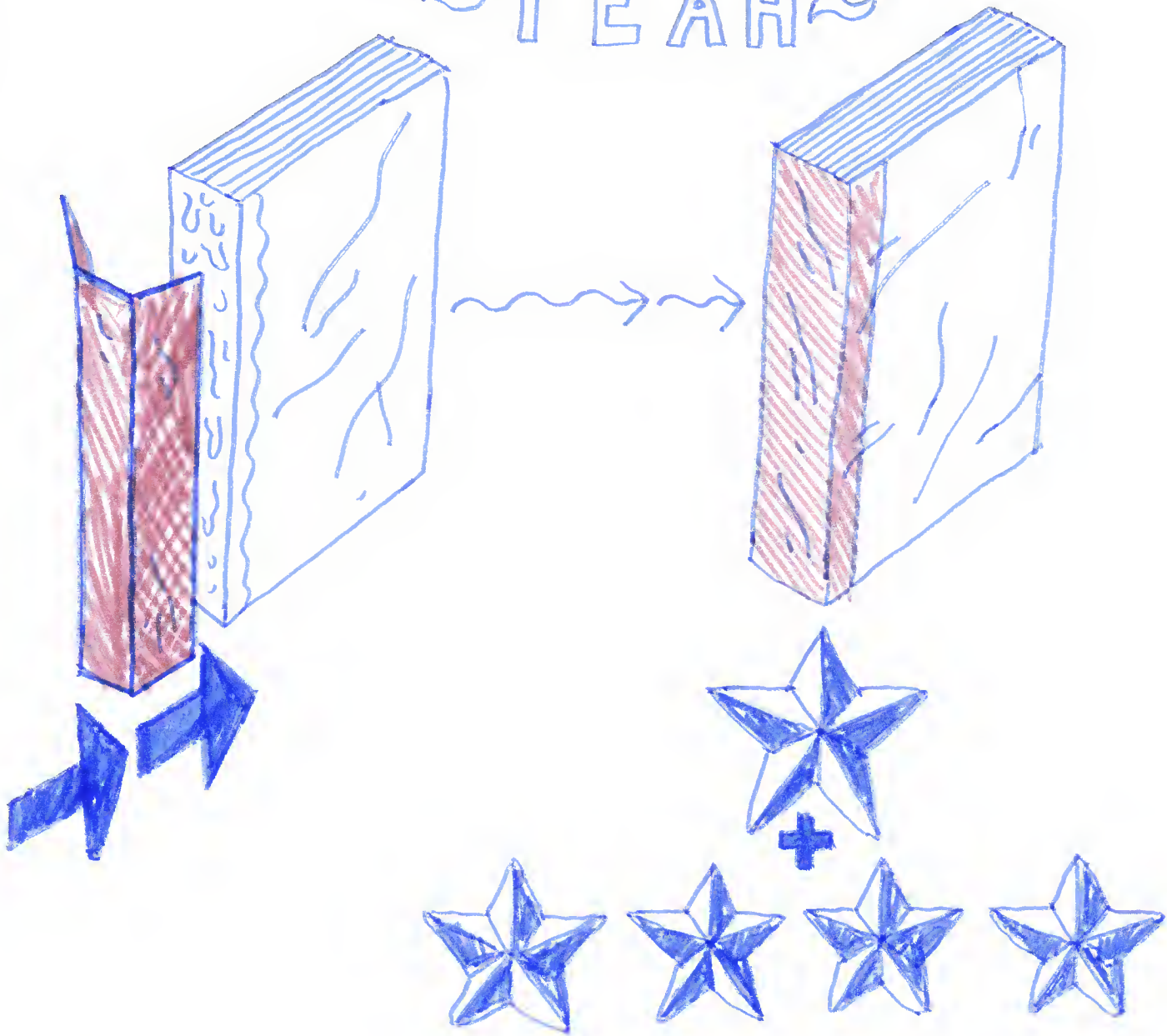


9. AFTER DRYING, RE-  
-MOVE THE ZINE FROM  
-M THE STRANGLEHOLD  
YOU HAVE NOW A BRAW (WHI-  
-TOUT  
A "B")  
ZINE



10. USE A CUTTER KNI-  
-FE TO NEATLY TRIM THE  
EXCESS ROPE.

~YEAH~



11. PASTE A PIECE OF HARD AND/OR WAXED PAPER ON THE SPINE OF THE ZINE, MAKING SURE IT OVERLAPS ON THE COVERS. GOOD.

**CONGRATS!!**

NOW YOU'RE THEORETICALLY CAPABLE OF THEORETICALLY ASSEMBLING YOUR VERY OWN ZINE!!

ALL YOU NEED NOW IS A BRAIN, TO COME UP WITH SOME CONTENT.

DON'T WORRY THOUGH, YOU CAN ALWAYS RIPOFF COPYLEFT INDEPENDENT SUCKERS, INTELLECTUALLY SPEAKING.

# SERIOASE

◇ ASOCIAȚIA CULTURALĂ  
"ANARHIA DIVINĂ A M-  
-AGNETISMULUI MAM-  
-IFERIC" CAUTĂ INT-  
-ERNI BINE PREGĂTI-  
-ȚI DEJA, IUBITORI DE  
CĂINI ȘI POTĂRNICHI  
ȘI FAZANI. ȘI PREFERE-  
-RABIL PRICEPUȚI LA  
GĂTIT. SUNAȚI/SCRIEȚI.

◇ CAUT ANVELOPE DES-  
-TUL DE UZATE ȘI DE-  
-STUL DE BUNE, NEG-  
-RE, MIROSITOARE, FU-  
-MEGANDE, MOI, DACĂ

SE POATE ASIGUR  
TRANSPORTUL (PE  
TIMP DE NOAPTE).

◇ VÂND DESTUL DE A-  
-VANTAJOS COVOR  
PERSAN, COLOR.

◇ FIRMĂ DE NOAPTE  
NON-PROFIT, SPE-  
-CIALIZATĂ ÎN  
TRANSFER CUL-  
-TURAL DE MĂDU-  
-VĂ - ANGAJATO-  
-RI DE TOP, CAU-  
-TĂM FURNIZORI  
DE LEGUME. ◇